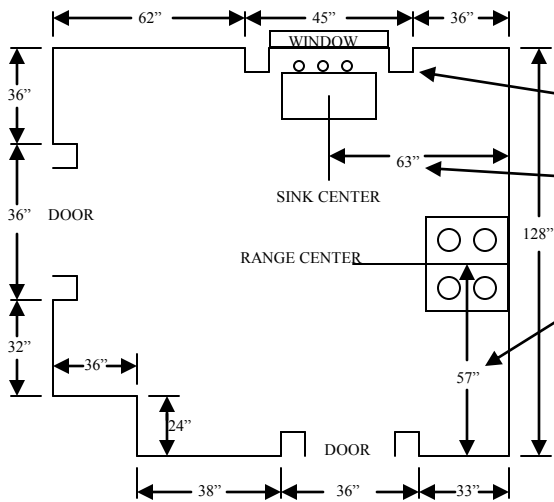


# GALLERY of KITCHENS

ROOMS of ENGLAND ROOMS of EUROPE

TAKE A MOMENT TO MEASURE YOUR KITCHEN AND USE OUR DESIGN SERVICE.

Make a rough sketch of your kitchen floor plan like the sample. Assume your kitchen is bare. Don't worry about existing cabinets. Just follow these steps:



1. Measure from a corner
2. Include Moldings
3. Continue measuring around the room
4. Measure from the Center of your sink
5. Measure from the Center of your range
6. Measure width and height of refrigerator
7. Draw rough sketch below giving all measurements in inches
8. Ceiling height

